

DIGITAL WAVEGUIDE FILTER



MYAT, INC.

380 Chestnut Street

P.O. Box 425

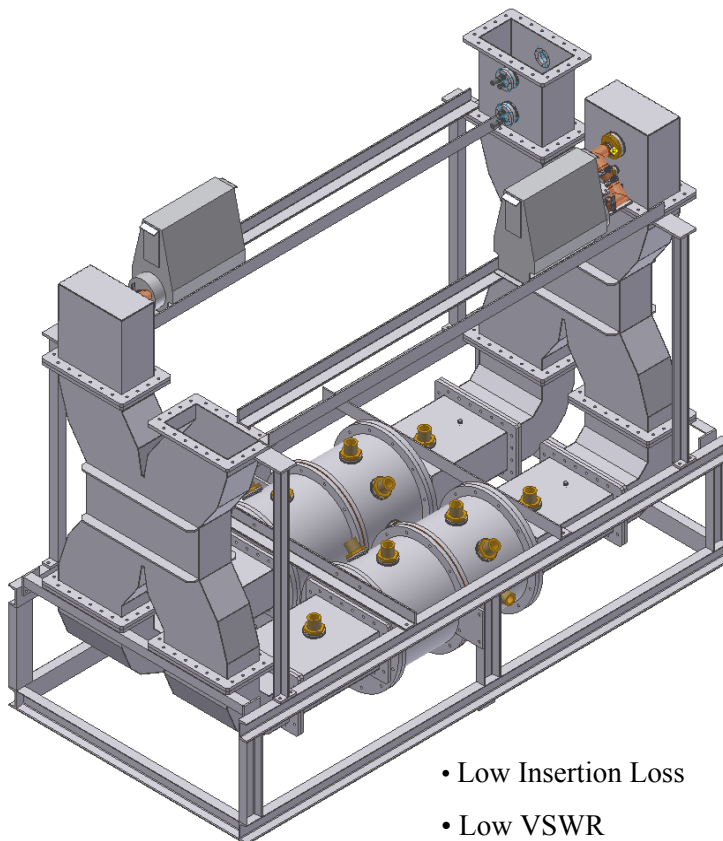
Norwood, NJ 07648

Phone: 201-767-5380

Fax: 201-767-4147

www.myat.com

sales@myat.com

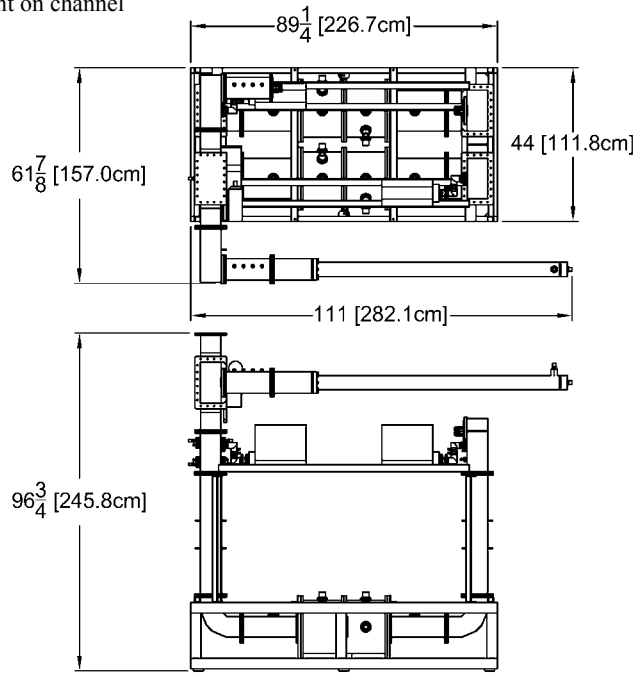


- Low Insertion Loss
- Low VSWR
- Excellent Rejection Using Pseudo-Elliptic Response
- Temperature Stable
- Rugged Unitized Construction

DTV Mask filter systems are designed to assist the transmitter in complying with FCC emission standards requirement. Dual mode circular waveguide bandpass filters provide optimum efficiency for minimal loss. MYAT's Dual Mode design provides superior frequency response when compared to traditional cavity filters, thereby reducing the number of cavity sections required, and the overall system length. Unitized construction reduces installation time and allows for ceiling or floor mounting. System options include waterloads, directional couplers, output switching/patching and power monitoring.



Dimensions are dependant on channel

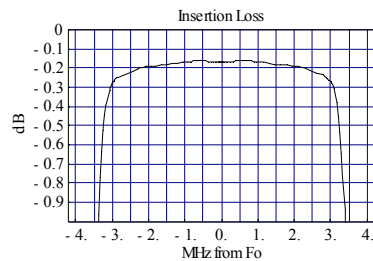
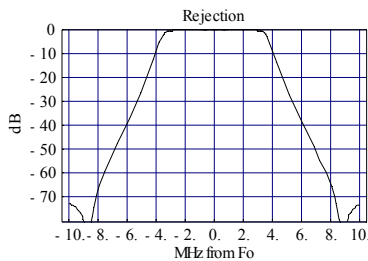


Specifications

No. of Sections
Frequency
VSWR
Insertion Loss
Rejection
Delay Variation
Input/Output
Power

DTV

6
 any specified UHF channel
 1.07 max. over channel
 .15dB typ. 2db max. @ Fo
 see plots, or as specified
 <150ns over channel
 as specified
 up to 35kW avg.



You Can Depend On MYAT

If you believe, as we do, that results are worth far more than empty promises, please give us a call at 201-767-5380. Or visit our Web site: www.myat.com. We'll get you on air, on time and on budget with reliable solutions that keep you up and running.

Efficient filter solutions that save you time and money.



Phone 1 - 2 0 1 - 7 6 7 - 5 3 8 0