

LOW VHF DIPLEXER



MYAT, INC.

380 Chestnut Street

P.O. Box 425

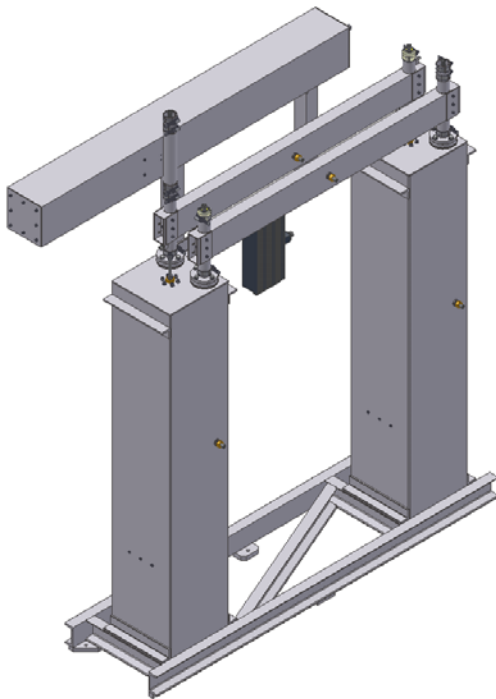
Norwood, NJ 07648

Phone: 201-767-5380

Fax: 201-767-4147

www.myat.com

sales@myat.com



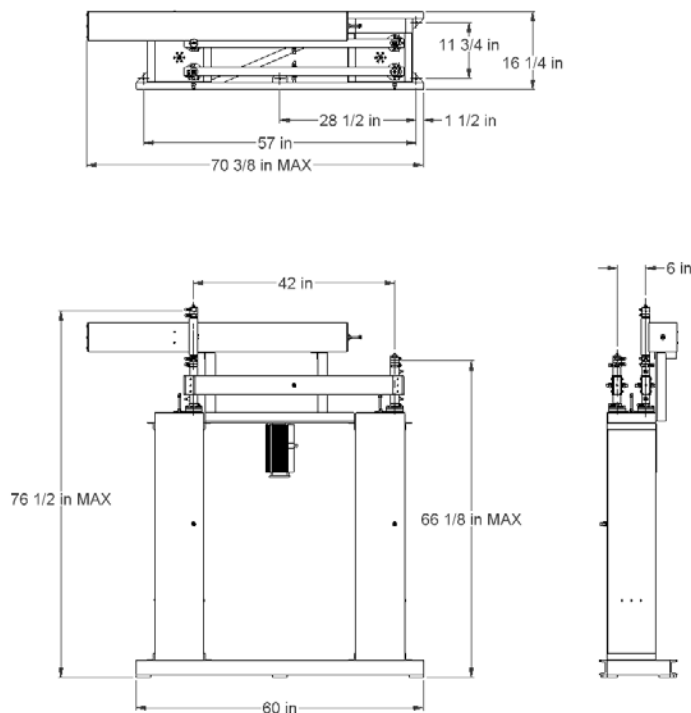
- Higher Q cavities for more efficient operation
- Precision tuned for greater isolation between visual and aural transmitters
- Temperature compensated for reliable long term performance
- Self contained floor mount frame

Myat's notch diplexer combines Aural and Visual transmitters to a single output, all in a self contained unit. High Q aural notch cavities are precisely matched in phase and amplitude to deliver exceptional performance. Cavities are temperature compensated for reliable performance. Diplexer design allows for configuration to any CCIR television system standard with dual aural notches provided for stereo operation. A high Q color notch filter at the input provides suppression of the lower sideband chrominance frequency, for clean and efficient operation.



Specifications

Frequency	Low VHF
Connectors	1 5/8
Power	12kW peak of sync 8kW avg.
VSWR, Visual Input	
CCIR M,N	1.05 fv-1.25MHz to 4.18MHz
CCIR B	1.05 fv-1.25MHz to 5.0MHz
VSWR, Aural Input	1.08
Insertion Loss	
Visual	.3dB max.
Aural	.7dB max.
Isolation	
Visual to Aural	35dB at fv
Aural to Visual	30dB at fa



You Can Depend On MYAT

If you believe, as we do, that results are worth far more than empty promises, please give us a call at 201-767-5380. Or visit our Web site: www.myat.com. We'll get you on air, on time and on budget with reliable solutions that keep you up and running.

Efficient filter solutions that save you time and money.



Phone 1 - 2 0 1 - 7 6 7 - 5 3 8 0